



 **faber**

e-BoX serie | 2020/2021 



Around a fire

Stories just keep coming

Together around the fire, familiar, comfortable. A good glass of wine, some nice music, the warmth around you, the light of the dancing flames. The stories come automatically. About what happened to you during the day, developments at work, news from friends and family.

The stories from your past and your big dreams for the future. Things you don't usually share with others but that come so easy now, enveloped by warmth and trust. That's what a fire does to a person! Traditionally, fires were lit to keep the outside world at a distance. It's why a fire creates an atmosphere of intimacy and contact, where you listen to each other's stories.

A fire connects

Around a fire you share your holiday experiences with your friends, you tell your children a bedtime story, and you share your most intimate feelings with your loved one.

A look is all you need, and together you enjoy peaceful silence, gazing at the flames, because you don't need words to understand each other. The fire of love, where better than in front of an open fire? That is where you experience your most beautiful moments and when you take time for each other. That is where you share your stories, full of passion and full of fire!

There is **so much to tell...**



Faber means **175 years of quality**

The connective and soothing effect of an open fire is our passion. We are always looking for the best and most beautiful solutions, because we want our connoisseurs to enjoy an astonishing flame effect. We strive for the same warmth and urge for quality in our contact with those around us. Our fires have been developed and produced in the Netherlands for devotees all over the world for more than 175 years. Today, Faber is part of the Irish family business Glen Dimplex, market leader in top-quality ambient electric fires. A strong and trusted combination, with a pure origin!

In the vanguard of the fire of the future

Faber's 'fire makers' are driven to produce the most beautiful ambient fires. Rooted in log fires, leading in gas fires and in the vanguard of fires with new fuels, such as biopropane, propane and water mist. With pure craftsmanship, knowledge and advanced technology, Faber is responsible for discoveries and patents that have become standard in the world of fires today. The e-Matrix Linear and e-BoX, our latest models that use electricity, water and the power of LED lights, are just as innovative. The same goes for the striking new Matrix RD/ST gas fires with the Hybrid Pro Light Module that literally throws a new light on the future of gas fires. In short, 'making' ambient fires is part of Faber's DNA, and our pride and passion!

Your Faber fire built especially for you

If you choose a Faber, we build, adjust the settings and check the fire specifically for you. You can be certain that you have a characteristic Faber fire effect and a fire that operates perfectly and safely.



e-BoX:

... a surprising electrical alternative

The Faber e-BoX series has been developed especially for true fire connoisseurs who are looking for a complete and 100% future-proof alternative to an atmospheric gas or wood fire, and who value a good price-quality ratio.

The new Faber e-BoX series provides a unique solution for the full enjoyment of a swirling, atmospheric fire, without the traditional limitations that may be associated with a built-in gas or wood fire. For example, limitations because of the living environment (city), high-rise buildings, the lack of a connection to the gas grid or a chimney, or because there is no room to build in a fire. It is also for anyone who no longer wants to have a gas or wood fire.

Unique and convenient

The flame effect of the e-BoX built-in fires is down to a combination of rising cold-water mist and special LED lights. A patented flame technology that is related to the leading and successful electric e-Matrix series. The flame effect is convincing with naturally moving 'flames and smoke' that move freely and 100% safe up through the fire. And with the warm glow of the fuel bed with a choice of several decorations.

At the same time, the consumption of the flame effect is limited to the electricity consumption of room lighting and no more than a few litres of tap water a day. Maintenance is minimal and the operation a question of a push on a button. A built-in additional heating unit (max. 1KW) is also available for that really snug feeling near the fire.

With the e-BoX series, there are more options for a Faber fire than ever before!

Interior Design Style
**Delicious
Datcha**

This charming chalet is a retreat that is perfect for quiet reflection and relaxation. The interior is based on modern, subtle and natural materials.

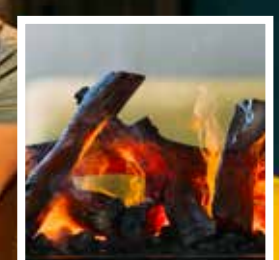
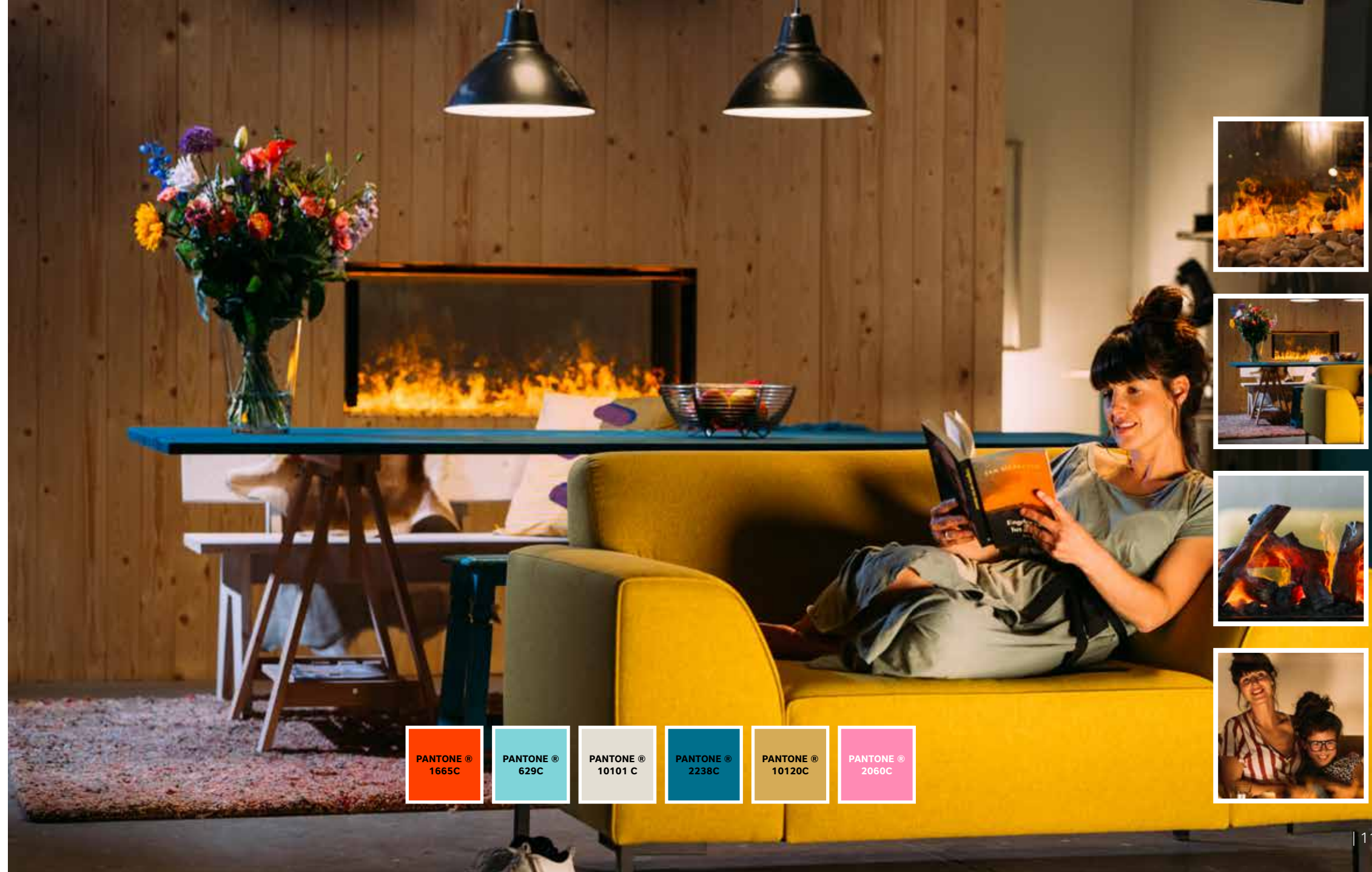
e-BoX | 1000/450 |



Interior Design Style
**Delicious
Datcha**

This charming chalet is a retreat that is perfect for quiet reflection and relaxation. The interior is based on modern, subtle and natural materials.

e-BoX | 1000/450 ST





e-BoX Burner

Top quality and different

Faber is introducing a second electric burner for the e-BoX series based on the burner of the e-Matrix. The flame effect is produced by the combination of cold-water mist and special LED lights - a patented invention. This unique combination produces a three-dimensional effect that looks convincingly like flames and smoke, swirling up through a decoration of logs, white pebbles or sparkling glass. An ultra-thin flexible water hose and a regular socket are enough for the connection. It is also possible to have a water supply from a built-in reservoir by using the optional 'pump kit'.

Additional heating unit - the e-BoX comes standard with a small additional heating unit with a maximum capacity of 1kW that is incorporated invisibly in the fireplace housing. The warm airflow is blown into the room through an opening in the pane. The operation is integrated into the remote control.

e-BoX fires

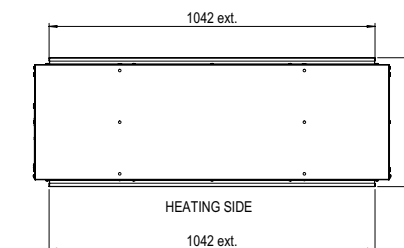
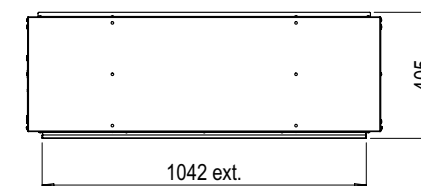
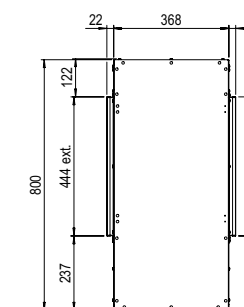
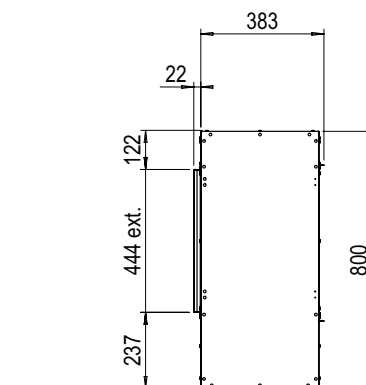
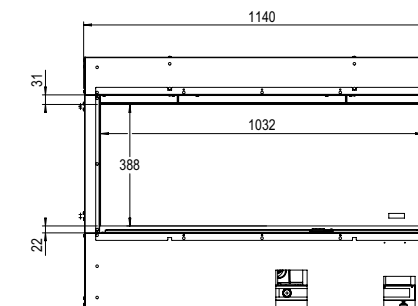
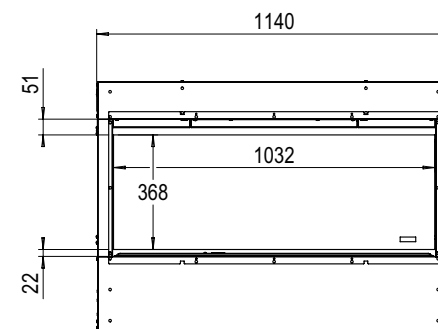
Line drawings

e-BoX | 1000/450 I

Page 8

e-BoX | 1000/450 ST

Page 10



	Page	DIMENSIONS		BURNER	DECORATION		
		Exterior dimensions WxHxD in mm	Fire display WxHxD in mm	e-BoX burner	Log set	Carrara pebbles	Acrylic ice
e-BoX 1000/450 I	8	1140 x 800 x 404	1040 x 400	●	Option	Option	Option
e-BoX 1000/450 ST	10	1140 x 800 x 412	1040 x 400	●	Option	Option	Option

	Page	HEATING	INTERIOR	SOUND	CONTROLLER	
		Heat element	Back wall smooth steel	Sound module	Remote control	Bluetooth remote control
e-BoX 1000/450 I	8	●	●	●	●	●
e-BoX 1000/450 ST	10	●	●	●	●	●

For more information, please take a look at the website: www.faberfires.com

The options per fire produce an additional cost.

Your dealer:

Disclaimer

We have produced this publication with the greatest possible care. However the information, including drawings, in this publication may be represented incorrectly, it may have changed or been supplemented. This publication is subject to change. Glen Dimplex Benelux BV is not responsible for the consequences of actions, decisions or results that are solely based on the information in this publication. We emphasise that the correct installation and safe operation should be in accordance with the applicable rules and regulations, the manual, and the expertise and advice of an expert. The photos in this publication only represent examples of possible configurations. Whilst stocks last. Our terms and conditions of delivery are available upon request.



Saturnus 8, NL-8448 CC Heerenveen
PO Box 219, NL-8440 AE Heerenveen

t +31 513 656 500
e info@faberfires.com

faberfires.com

@faberhaarden



FaberInternational



Proud brand of:

GlenDimplex
FLAME EUROPE 